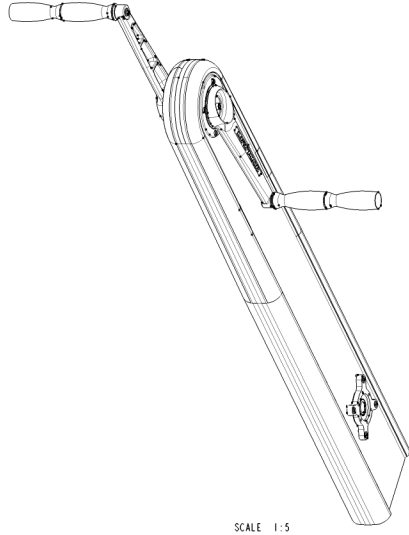


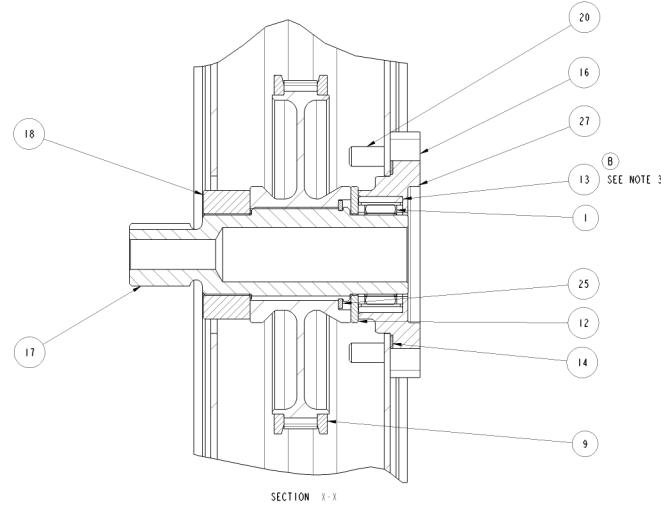
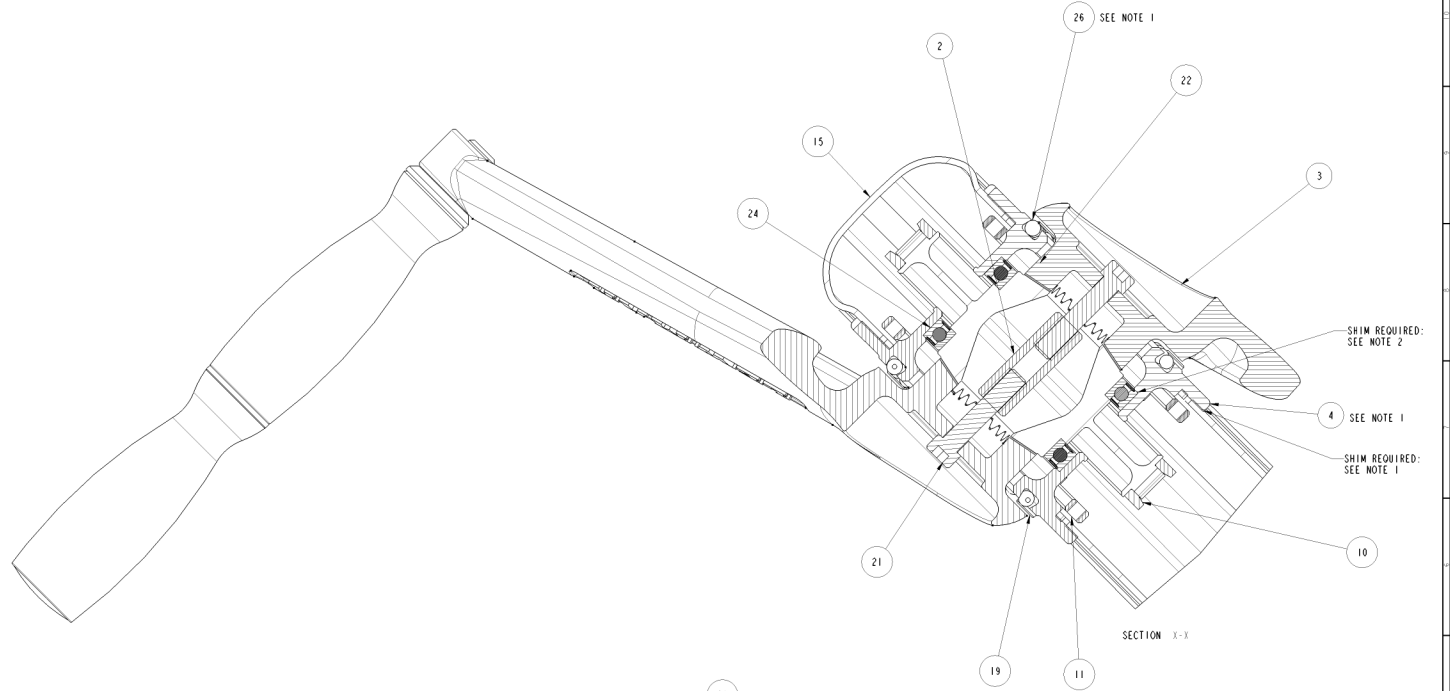
FIRST ANGLE PROJECTION

REMOVE ALL BURRS AND SHARP EDGES

ISSUE	REVISION	MOD No.	DATE
B	SEE MOD NOTE	13231	14-Apr-11



SCALE 1:5



ITEM	PART No.	PRODRIVE No.	DESCRIPTION	MATERIAL	QTY
27	B2432		HELICOIL M6x1.0D	304S15	6
26	B1732		DIA 1/4" TORLON BALL	TORLON 4203L	76
25	B12498		SMALLEY RING - DNS-38-S16	STAINLESS STEEL_304S15	1
24	B12305		618122RS BEARING	N/A	2
23	B12303		BELT 8M-2400-12-GT-PCC	N/A	1
22	B11718		M3X12MM SKT HD CSK	A2	4
21	B0689		SOCKET HD CAP SCREW	A2	2
20	B0686-A4		SOCKET HD CAP SCREW	A4	4
19	B0679		SOCKET HD CAP SCREW	A2	8
18	40007005	C072-0015	PED LOWER SHAFT SPACER	DELRIN	1
17	40007004		SPLINED SHAFT	17-4PH	1
16	40006812	CO-72-0006-B-1	BEARING HOUSING LOWER	6082-T6	1
15	40006751		PEDESTAL - MACHINED	40007024	1
14	40006716	C072-0023	LOWER FLANGE SHIM	UNASSIGNED	1
13	40006715	C072-0016	INSERT-BRG HSG LWR	UNASSIGNED	1
12	40006714	C072-0015	THRUST WASHER	DELRIN	1
11	40006712	C072-0018	RING - RETAINING UPPER	UNASSIGNED	2
10	40006708		UPPER PULLEY/FLANGE ASSY	N/A	1
9	40006705		LOWER PULLEY ASSY	N/A	1
8	40006695		SMALL SHIM	0.5MM PLASTIC	2
7	40006694		SMALL SHIM	0.2MM PLASTIC	4
6	40006693		SMALL SHIM	0.1MM PLASTIC	4
5	40006692		SHIM	PLASTIC (POLYMEX)	6
4	40006691		BEARING HOUSING	6082-T6	2
3	40006595		PED HANDLE - HIRTH COUPLING	SEE BOM	2
2	40001539		DRAW TUBE	7075-T6	1
1	15000019		ROLLER BEARING	STAINLESS	1

- NOTES:
1. SHIM 40006692 TO BE USED TO BRING TORLON BALLS B1732 INTO CONTACT WITH HANDLE 40006595 ON BOTH SIDES.
 2. USE SHIMS 40006693, 40006694, 40006695 TO EQUAL THICKNESS AS USED UNDER BEARING HOUSING 40006691.
 3. USE GREEN LOCTITE TO SECURE 40006715.

MATERIAL AS SHOWN	ALL DIMENSIONS IN mm TOLERANCES (UNLESS STATED) LINEAR ± ANGULAR ±	SKN PH DATE 23-Dec-08 SCALE 1:1	TITLE STRAIGHT PED, 976 CTRS, FARR 400
FINISH CLEAN	MODEL NAME: 40100145	PART No. 40100145	LEW-MAR

PART No. 40100145

ORIGINAL SIZE A1
2 10 20 30 40 50
REFERENCE SCALE IN MM

Manufactured and assembled at the discretion of the manufacturer.