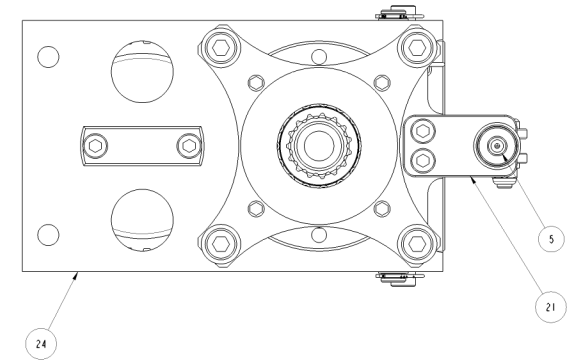
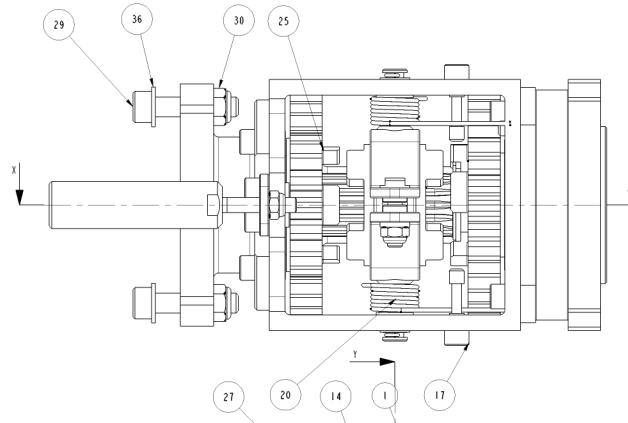
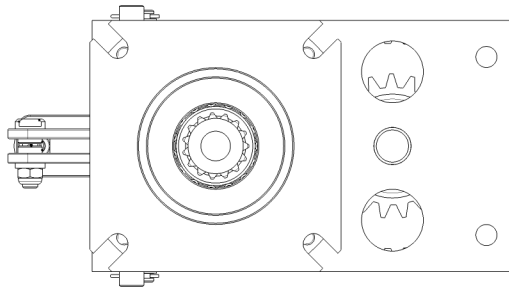


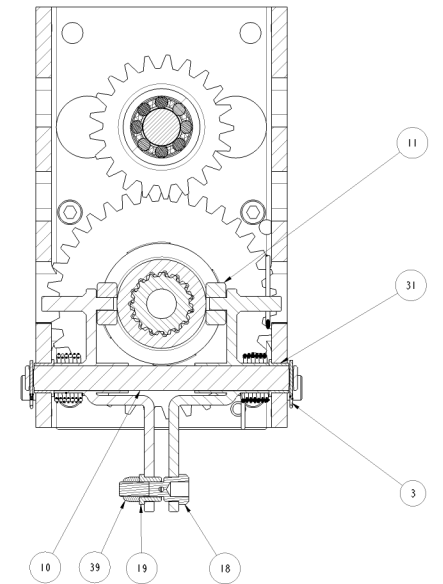
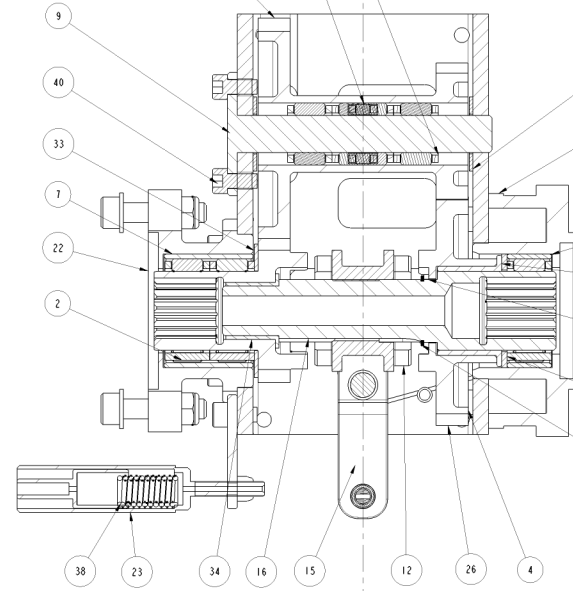
FIRST ANGLE PROJECTION

REMOVE ALL BURRS AND SHARP EDGES

ISSUE	REVISION	MOD No.	DATE
C	SEE MOD NOTE	10666	20.03.07



40	B8345	SOCKET HEAD CAP SCREW	7075-T6	12
39	B8332	NYLOC NUT	7075-T6	2
38	B7068	SPRING	STAINLESS	1
37	B2089	EXT. CIRCLIP	ST STL	1
36	B1206	WASHER	STAINLESS	4
35	B11388	FLANGE BEARING	TORLON 4203L	1
34	B11387	IGUS BEARING	TORLON	1
33	B11386	TBD	TBD	1
32	B11385	thrust bearing	TBD	2
31	B11384	IGUS BEARING	TORLON	2
30	B1076-A4	NYLOC NUT	A4	4
29	B0760	SOCKET HD CAP SCREW	A2	4
28	40006361	BEARING HOUSING	6082 T6	1
27	40006353	LAYSHAFT GEAR	FV520B	1
26	40006352	INPUT GEAR	FV520B	1
25	40006351	OUTPUT GEAR	ST. STEEL FV520B	1
24	40006330	GEARBOX HOUSING	6082-T6	1
23	40006110	SPRING HOUSING	316 S31	1
22	40006013	BEARING HOUSING	6082-T6	1
21	40006011	BRACKET	316S31	1
20	40005977	TORSION SPRING	B7080	2
19	40005976	CABLE CLAMP	316 S31	1
18	40005975	CABLE END	316 S31	1
17	40005974	SPRING STOP	B8334	2
16	40005973	DRIVE SPINDLE	FV520B	1
15	40005933	LEVER_ARM	316 S31	2
14	40005932	BEARING_SPACER	ACETAL	1
13	40005931	WASHER	CZ114	1
12	40005926	SLIDING DOG	ST. STEEL FV520B	1
11	40005925	ROLLER	BLACK DELRIN	2
10	40005918	LEVER PIN	6082 T6	1
9	40005915	LAYSHAFT	FV520B	1
8	40005382	WASHER	BRASS CZ114	1
7	40005252	BEARING SLEEVE	ST. STEEL FV520B	1
6	40005251	BEARING SLEEVE	ST. STEEL FV520B	1
5	40003544	SLEEVE	304 S15	1
4	15300680	6mm DOWEL	304 S15	1
3	15300158	CLIP	STAINLESS	2
2	15000019	ROLLER BEARING	STAINLESS	3
1	15000017	ROLLER BEARING	STAINLESS	4
ITEM	PART No.	DESCRIPTION	MATERIAL	QTY



SECTION X-X

SECTION Y-Y

NOTES.

- 1) SECURE BEARING SLEEVES ITEMS 6 & 7 WITH LOCTITE 638 (GREEN).
- 2) SECURE ITEMS 21 & 38 WITH LOCTITE 243 (BLUE).
- 3) APPLY GREASE TO SPLINE SURFACES, ROLLER BEARINGS AND GEAR TEETH.
- 4) INSERT M6 X 1P HELI COIL INSERTS AS REQUIRED ON ASSY.
- 5) CUT ITEM 18 TO LENGTH.

PART No. 40100310



ORIGINAL SIZE A1
REFERENCE SCALE TO MM

Manufactured at: MANUFACTURE OF INFORMATION TO ORDER BY THE USER TO PRODUCE

MATERIAL N/A	ALL DIMENSIONS IN mm TOLERANCES (UNLESS STATED) LINEAR ± N/A ANGULAR ± N/A	DRN M. POWELL DATE 29-Nov-06	TITLE GEARBOX 1:2.8 RATIO
FINISH N/A	MODEL NAME: 40100310	SCALE 1:1	PART No. 40100310

LEWIS