

TO BE KEPT WITH BOAT DOCUMENTS  
BEI DEN SCHIFFSPAPIEREN AUFBEWAHREN  
A CONSERVER AVEC LES DOCUMENTS DU BATEAU  
PA ADJUNTAR A LA DOCUMENTACION DE LA ENBARCACION  
BÖR FÖRVARAS I BÅTEN



# Racing Winch Service Manual

Issue D July 2000

**LEWMAR®**

<b>Index</b>	<b>2</b>
Introduction	3/4/5
Spares Kit	3
Lewmar Limited Warranty	15

<b>Winches</b>	
No.40 STOR – 2 Speed from September 1993	4
No.44 STOR – 2 Speed from September 1993	5
No.44/3 AOR – 3 Speed from October 1994	6
No.48 STOR – 2 Speed from September 1993	7
No.48/3 AOR – 3 Speed from October 1994	8
No.50 STOR – 2 Speed from September 1993	9
No.50/3 AOR – 3 Speed from October 1994	10
No.54 STOR – 2 Speed from September 1993	11
No.58 STOR – 2 Speed from September 1993	12
No.60/3 STOR – 3 Speed from October 1994	13
No.62 STOR – 2 Speed from September 1993	14

Lewmar is the world's leading manufacturer of yacht winches. Our manufacturing facilities set the highest standards in quality materials and performance. Each Lewmar winch is tested to ensure that all stages in the manufacturing process conform to the Lewmar requirements of dimensional accuracy, rated strength and operating efficiency. Our winches are approved to Lloyds standards and in practice are in excess of them. Lewmar winches are constantly being tested in the latest racing competition, onboard leading ocean racers around the world and, whether racing or cruising, they are rated for their long life and performance.

However, as with any precision engineered assembly, Lewmar winches need regular maintenance to operate at peak efficiency. Without this attention, permanent damage and premature wear can result.

This manual gives complete parts details of custom winches in the Lewmar range together with service, assembly and mounting notes.

Lewmar has a worldwide network of offices and distributors who carry stocks of spare parts and spare kits. Expert advice and assistance is available for any servicing or repair problem.

**GUARANTEE**

Lewmar winches have been developed over many years by extensive testing aboard the world's finest ocean racers, long distance cruising yachts and match racing yachts. They are manufactured to quality standards in excess of those required by Lloyds and only the finest materials are used.

If installed, used and maintained as described in this manual they will give outstanding performance.

**SERVICE NOTES**

For satisfactory long term performance and product life these winches must be given the routine and full maintenance procedure described below.

**Monthly** – All Lewmar winches should be hosed down with fresh water then lightly oiled and greased in the separate free leaflet, 'How to service your winch'.

**Two or three times during active sailing season** – All Lewmar winches should be stripped, cleaned and lubricated.

**At the end of each sailing season or before starting the new season** –

All Lewmar winches should be completely stripped, cleaned, thoroughly checked for damage, lubricated and reassembled as detailed in this service manual.

**SERVICE PROCEDURES**

**Dismantling** – Lewmar winches are simple to dismantle and are designed for easy maintenance. The exploded view drawings show how the component parts can be removed easily from each winch.

**Assembly** – Winches must be assembled in the reverse sequence to the order of dismantling.

**Mounting** – All winches must be mounted using the correct size and type of retaining bolts. The winch must be mounted on a flat clean surface.

The hole centres for the winch retaining bolts must be marked off and drilled separately. The winch should be bedded on a light coating of sealing compound to stop leaks – too much compound gets in gears and pawls.

The winch retaining fastenings must be securely tightened (but not overtightened). The winch is self draining and care must be taken to ensure the drain holes are not blocked.

**Handles** – All current winches accept any standard international handle (Lewmar grey grip handle).

Full service facilities for Lewmar winches are provided at our factory, subsidiary companies, distributors and service centres worldwide. A full listing is provided at the back of this manual.

Parts pricing is subject to change. Apply to your nearest Lewmar office or distributor for current price lists.

**RECOMMENDED LUBRICANTS**

**Grease** – Lewmar grease 7010 (Lubricate Marine Lube 'A', etc.).

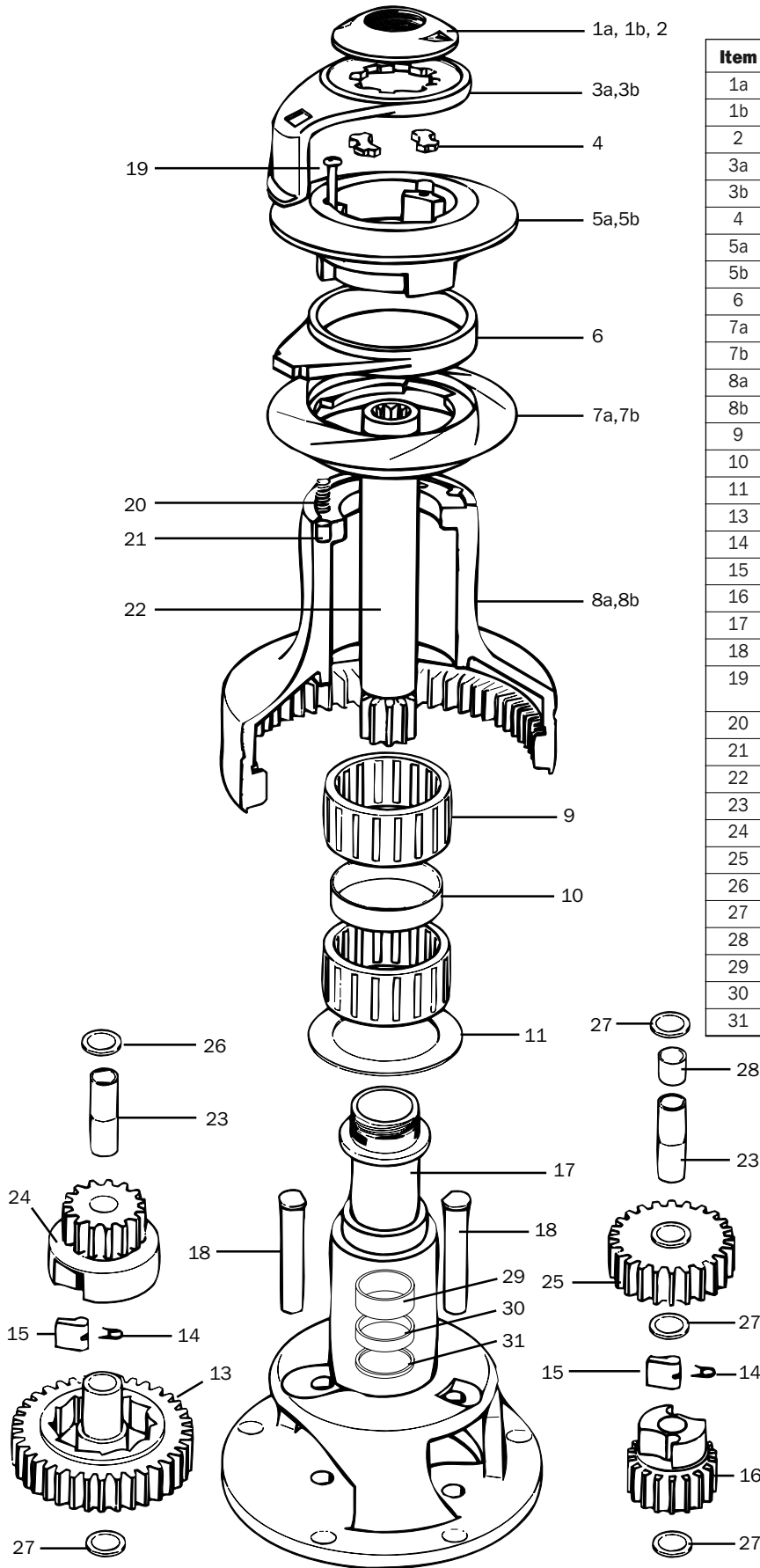
**Oil** – Light Machine Oil (3 in 1 or equivalent).

**SPARES KIT**

- 19700100**     **Spares Kit 6 – 43** 4 x Standard small pawls and springs, 4 x gear spindle sleeves, 3 x keys, 4 x circlips.
- 19700200**     **Spares Kit 16ST – 66ST** 6 x Standard small pawls, 4 x standard large pawls, 12 x pawl springs, 6 x gear spindle sleeves, 2 x collets, 2 x circlips.
- 19700300**     **Spares Kit 44 – 65PB** (Not applicable for 88 – 144).
- 19700401**     **50 – 66** 6 x Standard large pawls and 12 x pawl springs.
- 19700501**     **6 – 48/66** 6 x Standard small pawls and 12 x pawl springs.
- 19700900**     **Allen key set.**
- 19701000**     **Geargrease™** – Packed in handy 100g plastic tube.
- 19701100**     **Geargrease™** – Packed in handy 300g plastic tub. This waterproof grease contains solid activation which aids the load carrying characteristics of a winch. It is also suitable for trailer wheel bearings, steering gear, hydraulic equipment, outboard engines and many other marine applications.

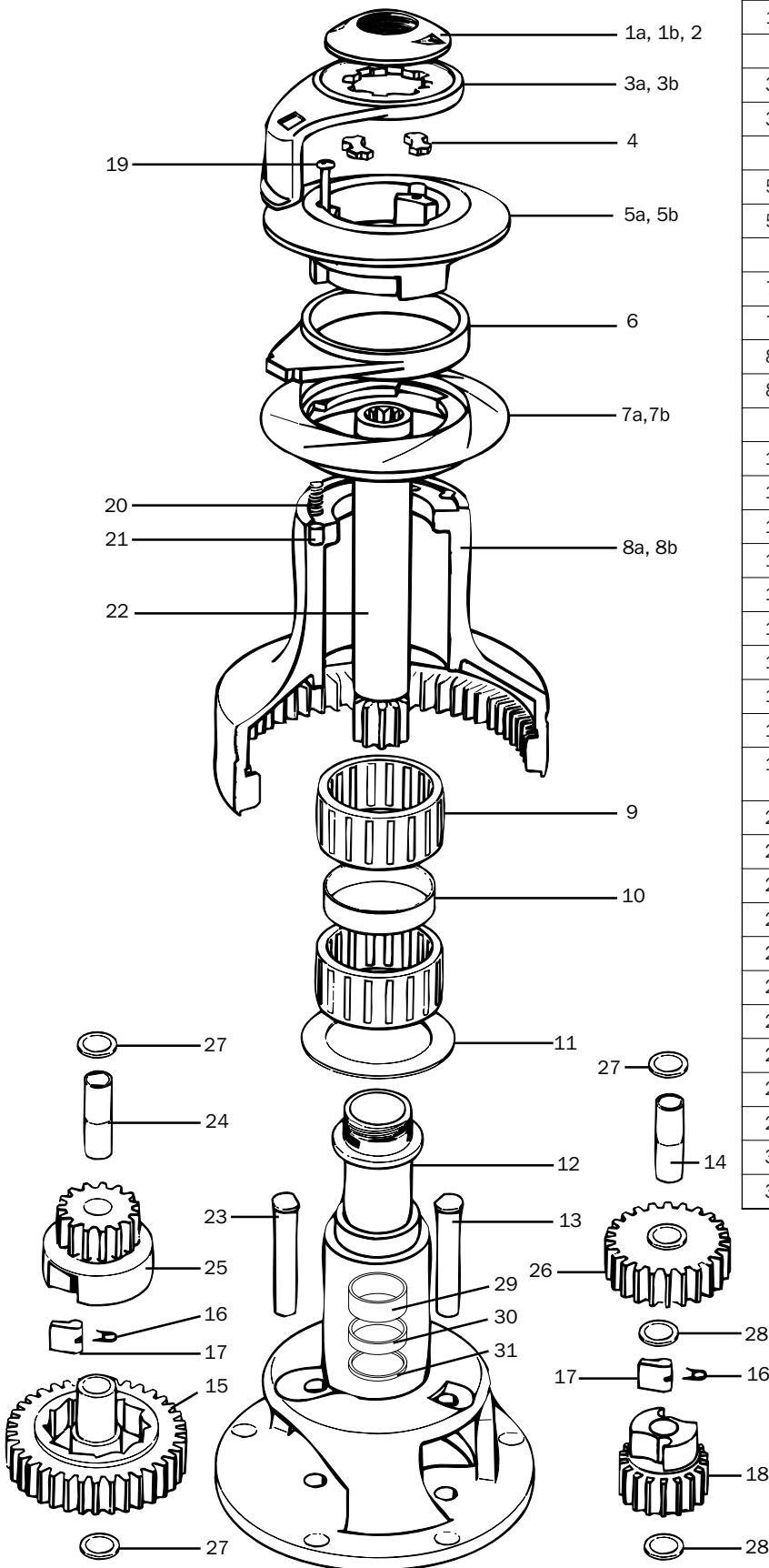
- 19701300**     **Naval Jelly** – Packed in handy 200ml jar. Removes tarnishing from stainless steel surfaces and protects the material.
- 19701600**     **RaceLube™** – 55ml plastic bottle. High performance winch oil. Special HD22 formula for winch pawls, springs and similar applications, where the use of grease is not advised.
- 19701500**     **English/German/French/Spanish/Swedish** – Multi Language 'How to Service your Ocean Winch'. Ask your nearest dealer/distributor for a copy of 'How to Service your Ocean Winch' or buy:-  
**Winch Maintenance Pack** – 100g tube of grease, 55ml HD22 oil, brush, 'How to' booklet, 10 x pawl springs.

**NO.40 STOR - 2 SPEED SELF TAILING WINCH**



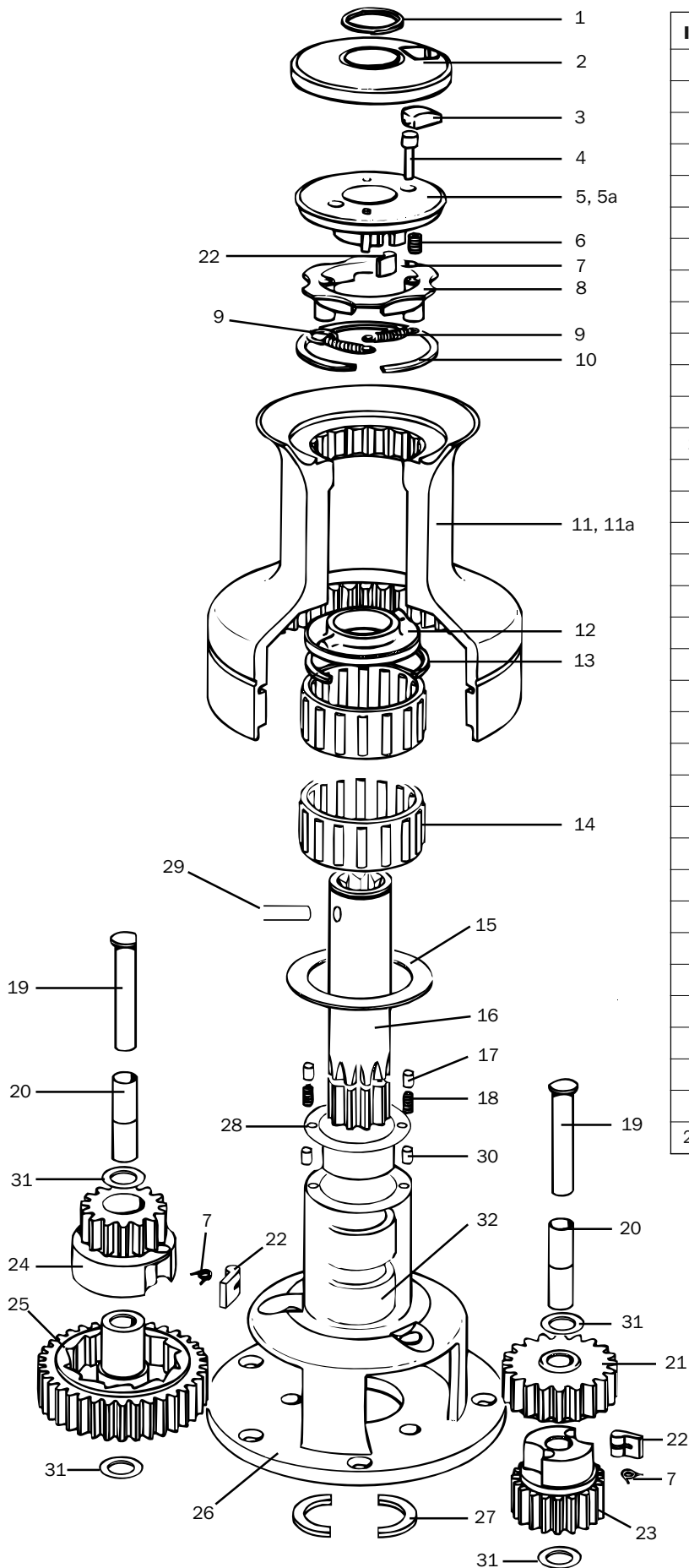
Item	Description	Part Number	No. Off
1a	Top Cap (Grey)	45003000	1
1b	Top Cap (Black)	45003001	1
2	'O' Ring (Fitted in Item 1a/1b)	B6061	1
3a	Feeder Arm (Grey)	45003003	1
3b	Feeder Arm (Black)	45003004	1
4	Plastic Collet	45003002	2
5a	Upper Crown (Grey)	45000105	1
5b	Upper Crown (Black)	45000185	1
6	Stripper Ring	45000108	1
7a	Lower Crown (Grey)	45000109	1
7b	Lower Crown (Black)	45000189	1
8a	Alloy Drum (Grey)	45000214	1
8b	Alloy Drum (Black)	45000284	1
9	Roller Bearing Assy	48000010	2
10	Bearing Spacer	45003010	1
11	Drum Washer	15044116	1
13	Ratchet Gear	45003020	1
14	Pawl Spring	1260/7	4
15	Pawl	15000094	4
16	Pawl Gear	45003021	1
17	Centre Stem Assy	48000027	1
18	Gear Spindle	45003023	2
19	M5 x 35 Stainless Steel Posidrive Pan HD Screw	B0337	3
20	Spring	45000112	6
21	Spring Cup	45000113	6
22	Main Spindle	45003018	1
23	Gear Spindle Sleeve	45003029	5
24	Pawl Gear	45003019	1
25	Ratchet Gear	45003026	1
26	Washer	45003028	1
27	Washer	45003027	4
28	Gear Spindle Sleeve	45003024	1
29	Main Spindle Sleeve	15000377	5
30	Sleeve (Short)	45003006	1
31	Ret Washer	45003025	1

**NO.44 STOR - 2 SPEED SELF TAILING WINCH**



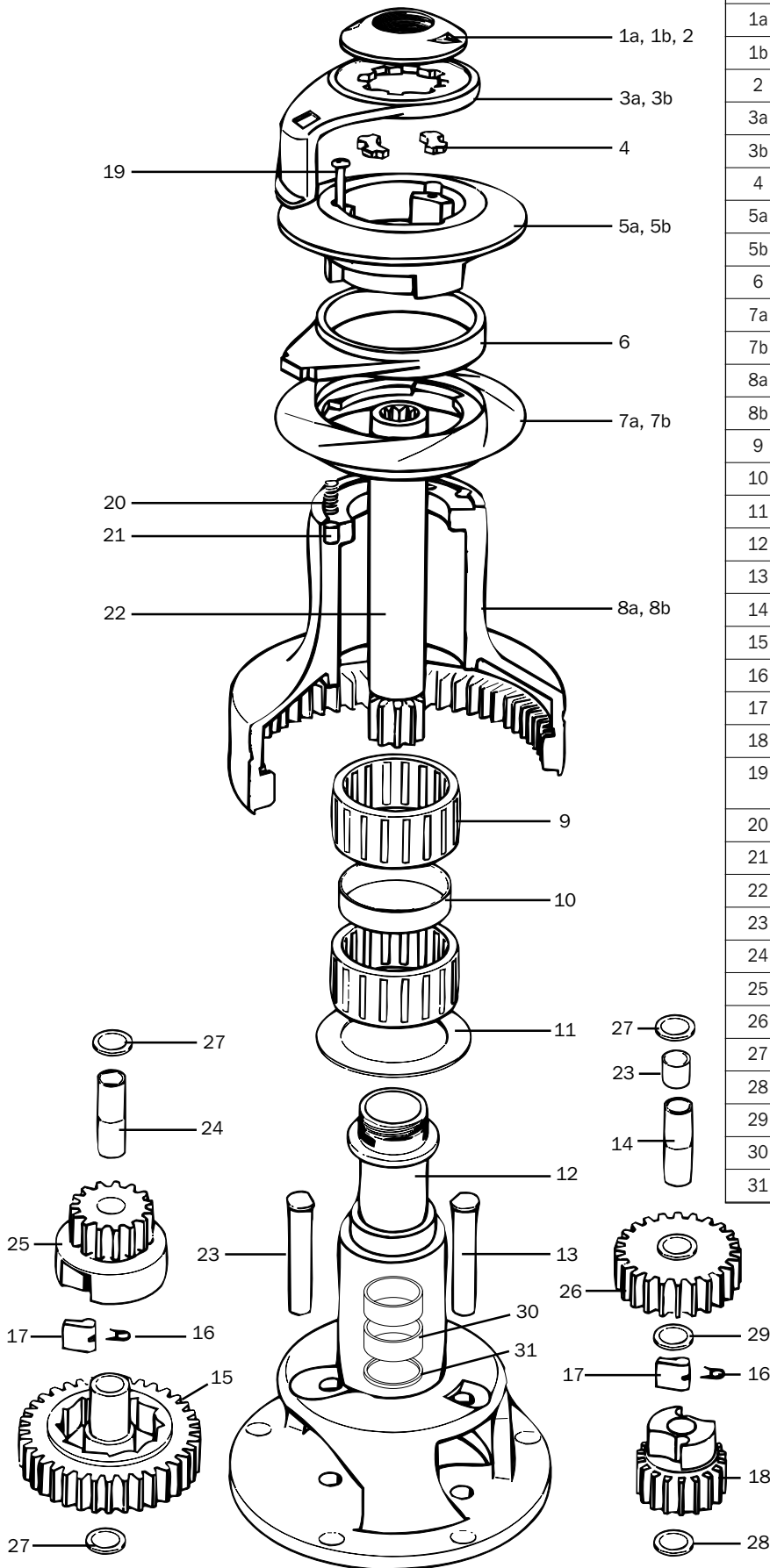
Item	Description	Part Number	No. Off
1a	Top Cap (Grey)	45003000	1
1b	Top Cap (Black)	45003001	1
2	'O'Ring (Fitted in Item 1a/1b)	B6061	1
3a	Feeder Arm (Grey)	45003033	1
3b	Feeder Arm (Black)	45003034	1
4	Plastic Collet	45003002	2
5a	Upper Crown (Grey)	45000305	1
5b	Upper Crown (Black)	45000385	1
6	Stripper Ring	45000308	1
7a	Lower Crown (Grey)	45000309	1
7b	Lower Crown (Black)	45000389	1
8a	Alloy Drum (Grey)	45000314	1
8b	Alloy Drum (Black)	45000384	1
9	Roller Bearing Assy	48000011	2
10	Spacer	45003049	1
11	Drum Washer	45003035	1
12	Centre Stem Assy	48000028	1
13	Gear Spindle	45003054	1
14	Gear Spindle Sleeve	15003059	2
15	Ratchet Gear	45003050	1
16	Pawl Spring	1260/7	4
17	Pawl	15000094	4
18	Pawl Gear	45003051	1
19	M5 x 40 Stainless Steel Posidrive Pan HD Screw	B0327	3
20	Spring	45000112	6
21	Spring Cup	45000113	6
22	Main Spindle	45003048	1
23	Gear Spindle	45003053	1
24	Gear Spindle Sleeve	45003029	3
25	Pawl Gear	45003039	1
26	Ratchet Gear	45003052	1
27	Washer	45003027	3
28	Washer	45003057	2
29	Sleeve	15000377	5
30	Sleeve (Short)	45003036	1
31	Ret Washer	45003025	1

**NO.44/3 AOR - 3 SPEED WINCH**



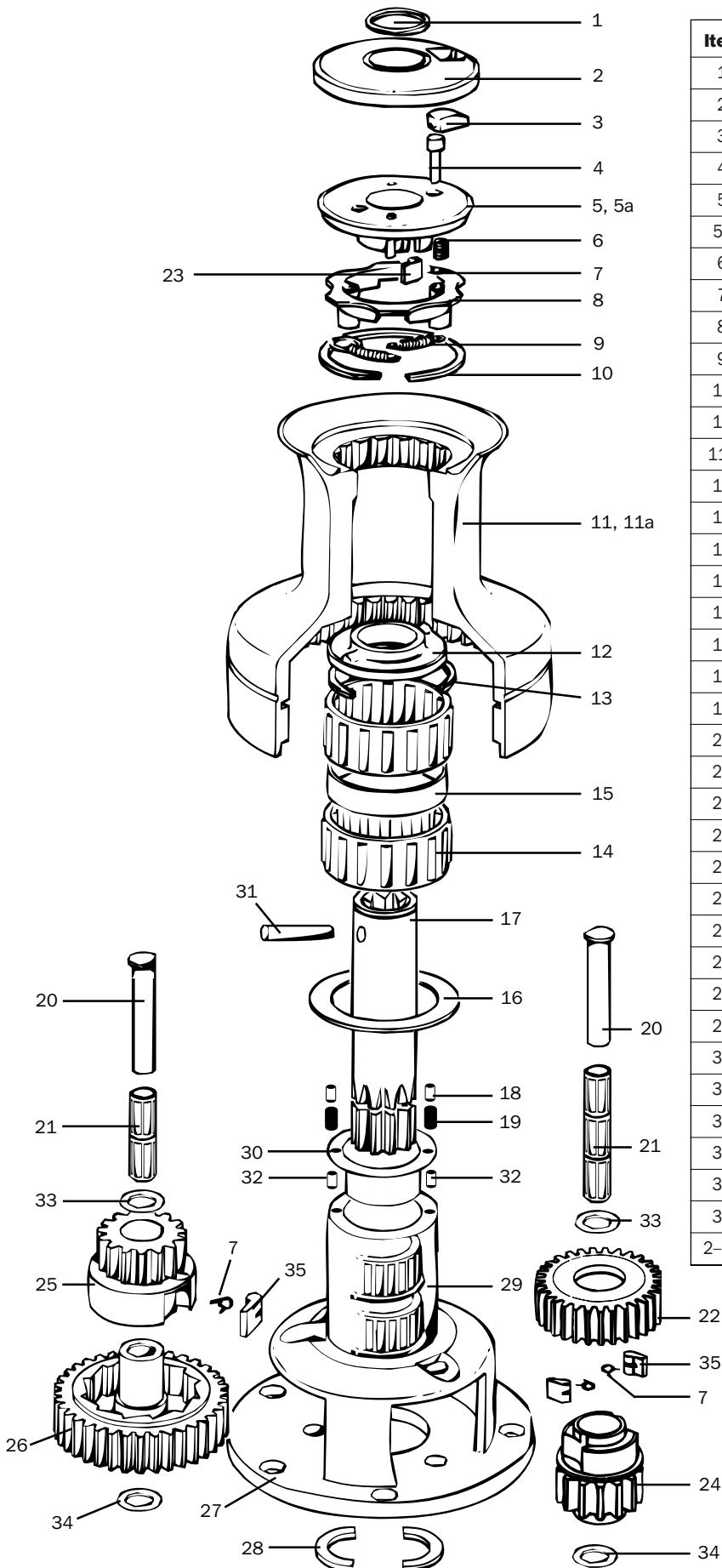
Item	Description	Part Number	No. Off
1	Circlip	B2075	1
2	Top Cap Cover	15080106	1
3	Push Button	15044114	1
4	Plunger	15044111	1
5	Base Top Cap	15044104	1
5a	Spring - Anchor Pin	15044115	2
6	Spring	15044112	1
7	Pawl Spring	1260/7	6
8	Closing Ring	15044106	1
9	Spring	15044113	2
10	Circlip	B2083	1
11	Drum Assembly (Grey)	15003833/S	1
11a	Drum Assembly (Black)	15003833	1
12	Clutch Plate	15000910	1
13	Collet	15044118	2
14	Roller Bearing	48000012	2
15	Drum Washer	15044116	1
16	Spindle	15003836	1
17	Plunger	15137203	2
18	Spring	15137204	2
19	Gear Spindle	45000424	2
20	Gear Spindle Sleeve	15000398	4
21	Ratchet Gear	15003840	1
22	Pawl	15000094	6
23	Pawl Gear	15003837	1
24	Pawl Gear	15003839	1
25	Ratchet Gear	15003838	1
26	Centre Stem	15003834	1
27	Collet	15001537	2
28	Spacer	15003835	1
29	Drive Pin	15044119	1
30	Sleeve	LSK 4514/4	2
31	Washer	45003057	4
32	Sleeve	15000377	2
2-10	Top Cap Assy Complete	18000155	1

**NO.48 STOR - 2 SPEED SELF TAILING WINCH**



Item	Description	Part Number	No. Off
1a	Top Cap (Grey)	45003000	1
1b	Top Cap (Black)	45003001	1
2	'O' Ring (Fitted In Item 1a/1b)	B6061	1
3a	Feeder Arm (Grey)	45003063	1
3b	Feeder Arm (Black)	45003064	1
4	Plastic Collet	45003002	2
5a	Upper Crown (Grey)	45000405	1
5b	Upper Crown (Black)	45000485	1
6	Stripper Ring	45000408	1
7a	Lower Crown (Grey)	45000409	1
7b	Lower Crown (Black)	45000489	1
8a	Alloy Drum (Grey)	45000414	1
8b	Alloy Drum (Black)	45000484	1
9	Roller Bearing Assy	48000012	2
10	Spacer	15000404	1
11	Drum Washer	45003065	1
12	Centre Stem Assy	48000029	1
13	Gear Spindle	45003084	1
14	Gear Spindle Sleeve	45003059	2
15	Ratchet Gear	45003080	1
16	Pawl Spring	1260/7	4
17	Pawl	15000094	4
18	Pawl Gear	45003051	1
19	M5 x 40 Stainless Steel Posidrive Pan HD Screw	B0327	3
20	Spring	45000112	6
21	Spring Cup	45000113	6
22	Main Spindle	45003078	1
23	Gear Spindle	45003083	1
24	Gear Spindle Sleeve	45003029	3
25	Pawl Gear	45003079	1
26	Ratchet Gear	45003082	1
27	Washer	45003027	3
28	Washer	45003057	1
29	Washer	15001045	1
30	Sleeve	15000377	6
31	Ret Washer	45003025	1

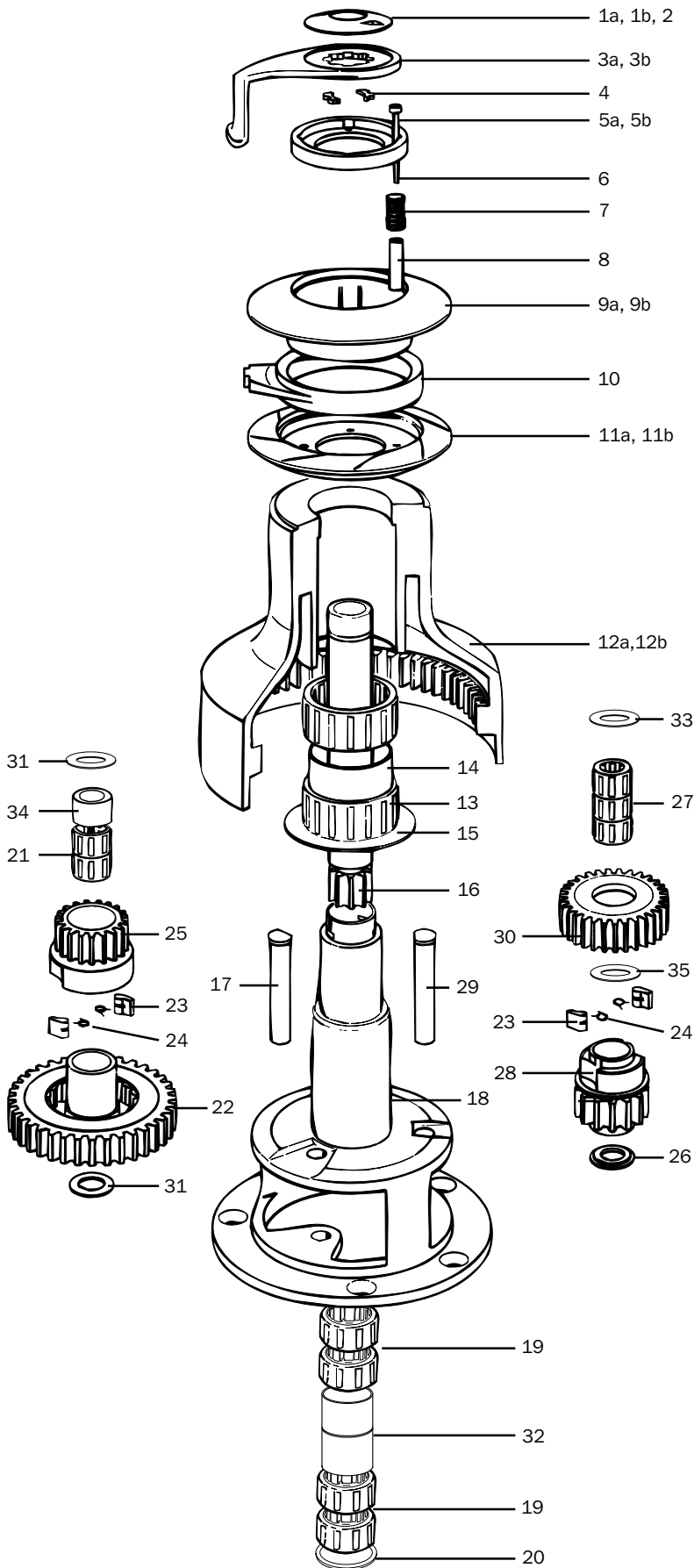
**NO.48/3 AOR - 3 SPEED WINCH**



Item	Description	Part Number	No. Off
1	Circlip	B2075	1
2	Top Cap Cover	15080106	1
3	Push Button	15044114	1
4	Plunger	15044111	1
5	Base Top Cap	15044104	1
5a	Spring - Anchor Pin	15044115	2
6	Spring	15044112	1
7	Pawl Spring	1260/7	6
8	Closing Ring	15044106	1
9	Spring	15044113	2
10	Circlip	B2083	1
11	Drum Assembly (Grey)	15003853	1
11a	Drum Assembly (Black)	15003859	1
12	Clutch Plate	15000910	1
13	Collet	15044118	2
14	Roller Bearing	48000012	2
15	Spacer	15065115	1
16	Drum Washer	45003095	1
17	Spindle	15003856	1
18	Plunger	15137203	2
19	Spring	15137204	2
20	Gear Spindle	45003114	2
21	Gear Spindle Bearing	15000017	5
22	Ratchet Gear	45000522	1
23	Pawl	15000094	2
24	Pawl Gear	45003111	1
25	Pawl Gear	15001248	1
26	Ratchet Gear	45003075	1
27	Centre Stem	48000032	1
28	Collet	15001537	2
29	Roller Bearing	18000206	2
30	Spacer	15003835	1
31	Drive Pin	15044119	1
32	Sleeve	LSK 4514/4	2
33	Washer	15000247	2
34	Washer	15000646	2
35	Pawl	15000301	4
2-10	Top Cap Assy Complete	18000155	1



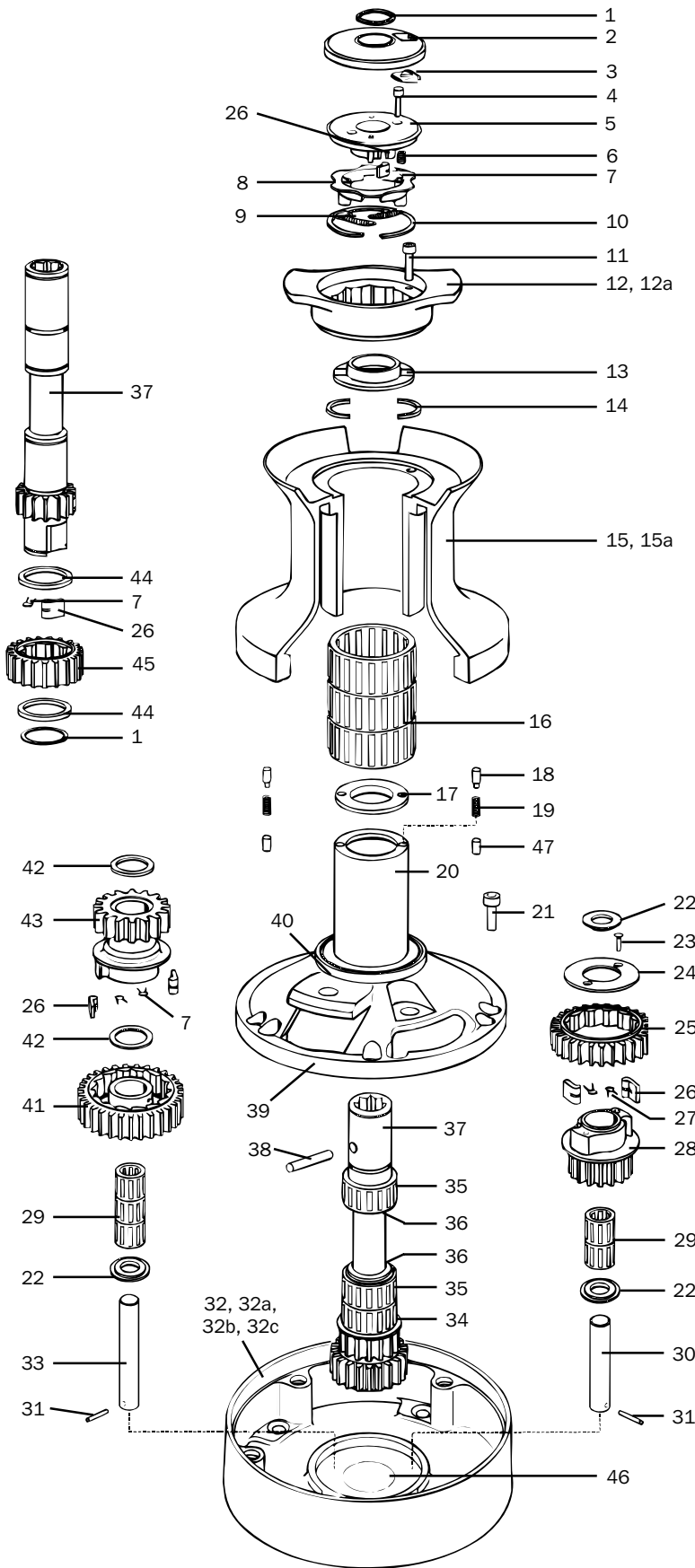
**NO.50 STOR - 2 SPEED SELF TAILING WINCH**



Item	Description	Part Number	No. Off
1a	Top Cap (Grey)	45003000	1
1b	Top Cap (Black)	45003001	1
2	'O' Ring (Fitted In Item 1a/1b)	B6061	1
3a	Feeder Arm (Grey)	45003093	1
3b	Feeder Arm (Black)	45003094	1
4	Plastic Collet	45003002	2
5a	Spring Retainer (Grey)	45000525	1
5b	Spring Retainer (Black)	45000595	1
6	M6 x 50 Skt Hd Cap Screw	B0746	4
7	Spring	45000512	4
8	Spacer	45000513	4
9a	Upper Crown (Grey)	45000505	1
9b	Upper Crown (Black)	45000585	1
10	Stripper Ring	45000508	1
11a	Lower Crown (Grey)	45000509	1
11b	Lower Crown (Black)	45000589	1
12a	Alloy Drum (Grey)	45000514	1
12b	Alloy Drum (Black)	45000584	1
13	Roller Bearing Assy	18000203	2
14	Bearing Spacer	45003101	1
15	Drum Washer	45003095	1
16	Main Spindle	45003108	1
17	Gear Spindle	45003113	1
18	Centre Stem Assy	48000030	1
19	Roller Bearing Assy	18000206	4
20	Circlip	B2092	1
21	Roller Bearing Assy	1300/SA2	2
22	Ratchet Gear	45000520	1
23	Pawl	15000301	4
24	Pawl Spring	1260/7	4
25	Pawl Gear	45003109	1
26	Flanged Washer	15000646	1
27	Roller Bearing Assy	15000017	3
28	Pawl Gear	45003111	1
29	Gear Spindle	45003114	1
30	Ratchet Gear	45003112	1
31	Washer	15000981	2
32	Spacer	45003100	2
33	Washer	15000247	1
34	Plain Bearing	45003102	1
35	Washer	45000533	1

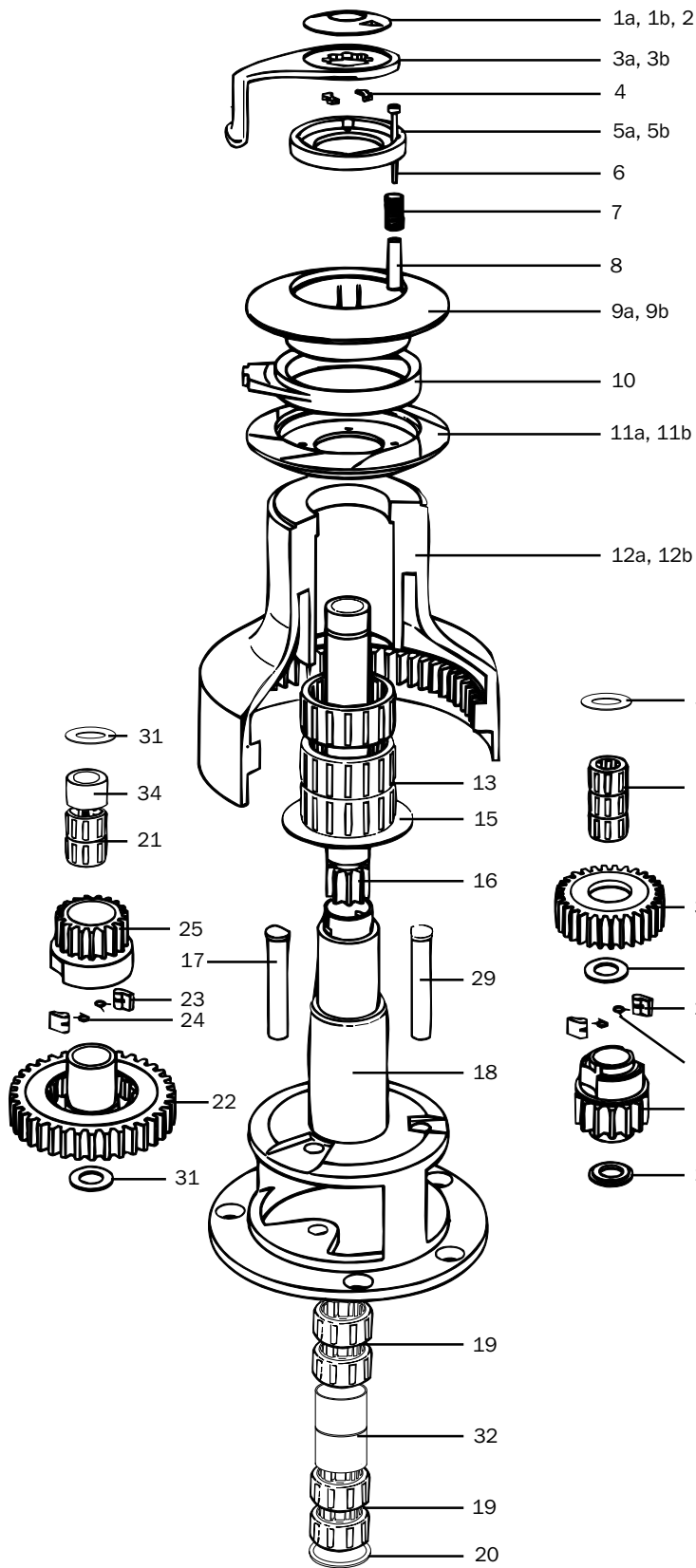
**Note:** Item 34 must be positioned as the top bearing on the output gear.

**NO.50/3 AOR - 3 SPEED WINCH**



Item	Description	Part Number	No. Off
1	Circlip	B2075	2
2	Top Cap Cover	15080106	1
3	Push Button	15044114	1
4	Plunger	15044111	1
5	Base Top Cap	15044104	1
5a	Spring - Anchor Pin	15044115	2
6	Spring	15044112	1
7	Pawl Spring	1260/7	6
8	Closing Ring	15044106	1
9	Spring	15044113	2
10	Circlip	B2083	1
11	Screw	B0680	4
12	Cleat (Grey)	WSK 4882/19/S	1
12a	Cleat (Black)	WSK 4882/19	1
13	Clutch Plate	15000910	1
14	Collet	15044118	2
15	Drum (Grey)	WSK 4882/1/S	1
15a	Drum (Black)	WSK 4882/1	1
16	Bearing	18000203	3
17	Spacer	WSK 4514/2	1
18	Plunger	15137203	2
19	Spring	15137204	2
20	Centre Stem (Upper)	WSK 4882/8	1
21	Screw	B0686	5
22	Washer	15000646	3
23	Screw	B0543	2
24	Retaining Plate	15001277	1
25	Ratchet Gear	WSK 4882/13	1
26	Pawl	15000094	8
27	Pawl Spring	1260/7	8
28	Pawl Gear	WSK 4882/12	1
29	Bearing	15000017	5
30	Gear Spindle	WSK 4882/16	1
31	Roll Pin	B1501	2
32	Base (Grey)	WSK 4883/3/S	1
32a	Base (Black)	WSK 4883/3	1
32b	Helicoil	B2423	5
32c	Hollow Dowel	45002140	2
33	Gear Spindle	WSK 4882/15	1
34	Washer	15001556	1
35	Bearing	18000206	3
36	Circlip	B2086	2
37	Main Spindle	WSK 4883/9	1
38	Drive Pin	15044119	1
39	Centre Stem (Lower)	WSK 4882/5	1
40	Delrin Ball	B1726	60
41	Ratchet Gear	WSK 4882/10	1
42	Washer	WSK 4882/17	2
43	Pawl Gear	WSK 4882/11	1
44	Spacer	15000303	2
45	Ratchet Gear	WSK 4882/14	1
46	Thrust Washer	WSK 4882/18	1
47	Sleeve	LSK 4514/4	2
2-10	Top Cap Assy Complete	18000155	1

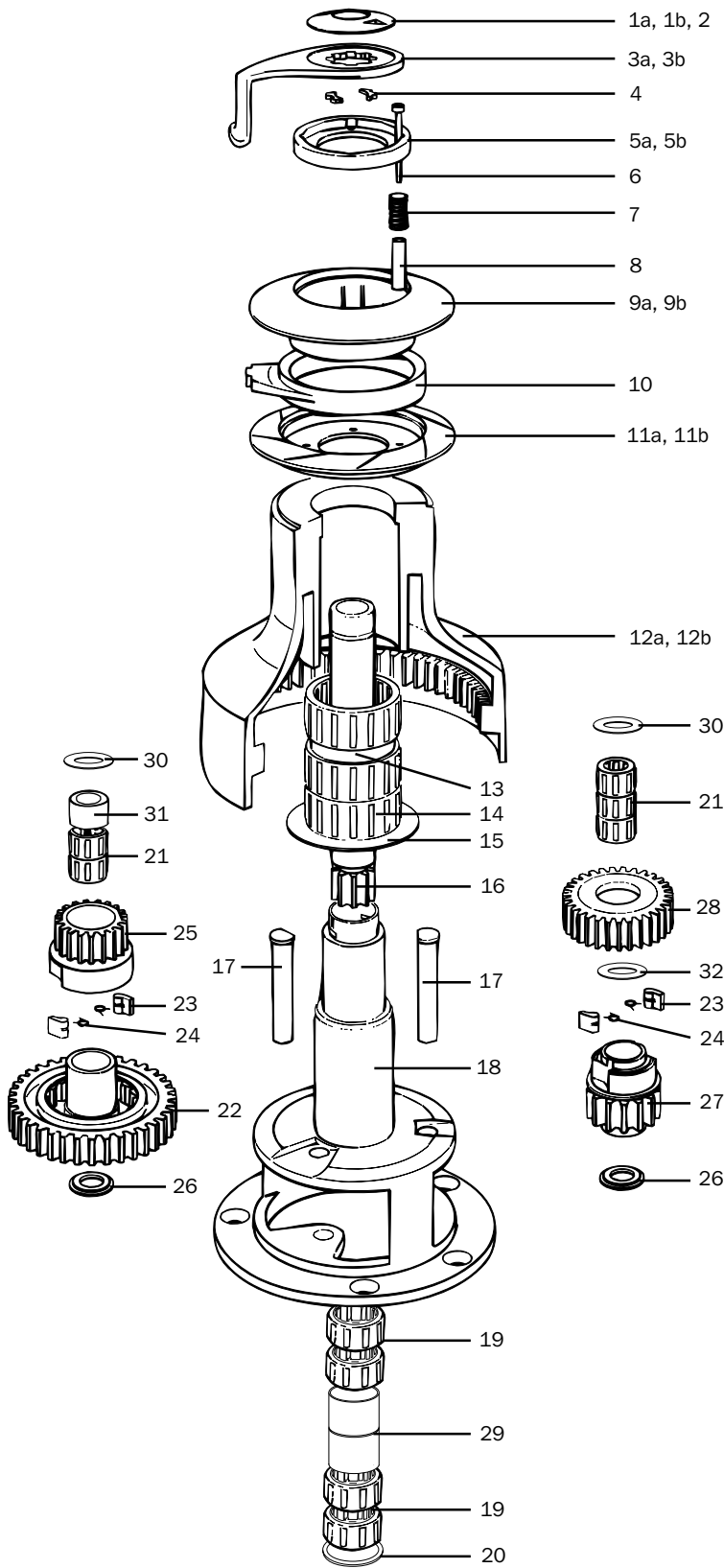
**NO.54 STOR - 2 SPEED SELF TAILING WINCH**



Item	Description	Part Number	No. Off
1a	Top Cap (Grey)	45003000	1
1b	Top Cap (Black)	45003001	1
2	'O' Ring (Fitted In Item 1a/1b)	B6061	1
3a	Feeder Arm (Grey)	45003123	1
3b	Feeder Arm (Black)	45003124	1
4	Plastic Collet	45003002	2
5a	Spring Retainer (Grey)	45000525	1
5b	Spring Retainer (Black)	45000595	1
6	M6 x 50 Skt HD Cap Screw	B0746	4
7	Spring	45000512	4
8	Spacer	45000513	4
9a	Upper Crown (Grey)	45000505	1
9b	Upper Crown (Black)	45000585	1
10	Stripper Ring	45000508	1
11a	Lower Crown (Grey)	45000509	1
11b	Lower Crown (Black)	45000589	1
12a	Alloy Drum (Grey)	45000614	1
12b	Alloy Drum (Black)	45000684	1
13	Roller Bearing Assy	18000203	3
15	Drum Washer	45003095	1
16	Main Spindle	45003138	1
17	Gear Spindle	45003113	1
18	Centre Stem Assy	48000031	1
19	Roller Bearing Assy	18000206	4
20	Circlip	B2092	1
21	Roller Bearing Assy	1300/SA2	2
22	Ratchet Gear	45000520	1
23	Pawl	15000301	4
24	Pawl Spring	1260/7	4
25	Pawl Gear	45003109	1
26	Flanged Washer	15000646	1
27	Roller Bearing Assy	15000017	3
28	Pawl Gear	45003141	1
29	Gear Spindle	45003114	1
30	Ratchet Gear	45003112	1
31	Washer	15000981	2
32	Spacer	45003130	2
33	Washer	15000247	1
34	Plain Bearing	45003102	1
35	Washer	45000533	1

**Note:** Item 34 must be positioned as the top bearing on the output gear.

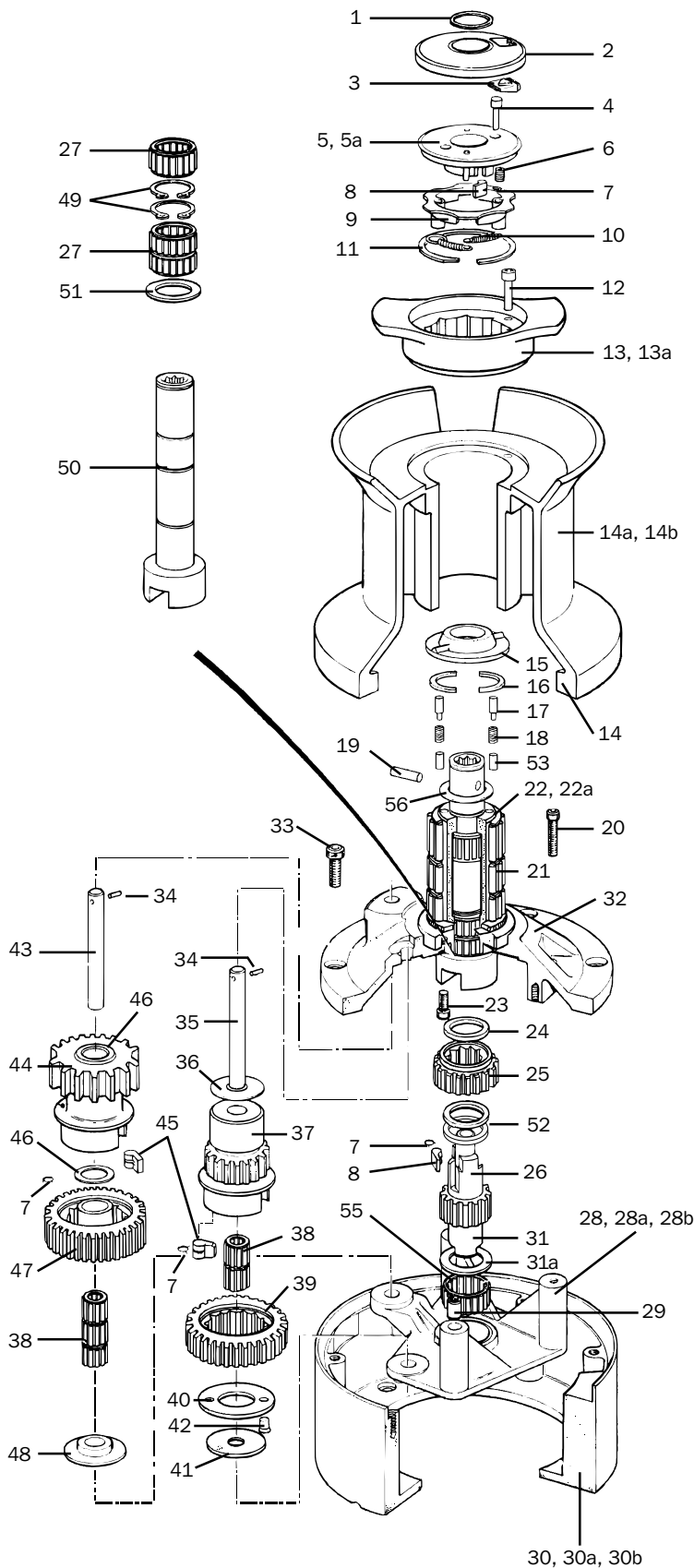
**NO.58 STOR - 2 SPEED SELF TAILING WINCH**



Item	Description	Part Number	No. Off
1a	Top Cap (Grey)	45003150	1
1b	Top Cap (Black)	45003151	1
2	'O' Ring (Fitted In Item 1a/1b)	B6061	1
3a	Feeder Arm (Grey)	45003153	1
3b	Feeder Arm (Black)	45003154	1
4	Plastic Collet	45003002	2
5a	Spring Retainer (Grey)	45000725	1
5b	Spring Retainer (Black)	45000795	1
6	M6 x 55 Skt HD Cap Screw	B0756	4
7	Spring	45000512	4
8	Spacer	45000713	4
9a	Upper Crown (Grey)	45000705	1
9b	Upper Crown (Black)	45000785	1
10	Stripper Ring	45000708	1
11a	Lower Crown (Grey)	45000709	1
11b	Lower Crown (Black)	45000789	1
12a	Alloy Drum (Grey)	45000714	1
12b	Alloy Drum (Black)	45000784	1
13	Spacer	45003159	1
14	Roller Bearing Assy	18000203	3
15	Drum Washer	45003095	1
16	Main Spindle	45003168	1
17	Gear Spindle	45003114	2
18	Centre Stem Assy	48000037	1
19	Roller Bearing Assy	18000206	4
20	Circlip	B2092	1
21	Roller Bearing Assy	15000017	5
22	Ratchet Gear	45003170	1
23	Pawl	15000301	4
24	Pawl	1260/7	4
25	Pawl Gear	45003169	1
26	Flanged Washer	15000646	2
27	Pawl Gear	45003171	1
28	Ratchet Gear	45003172	1
29	Spacer	45003160	2
30	Washer	15000247	2
31	Plain Bearing	45003162	1
32	Washer	45000533	1

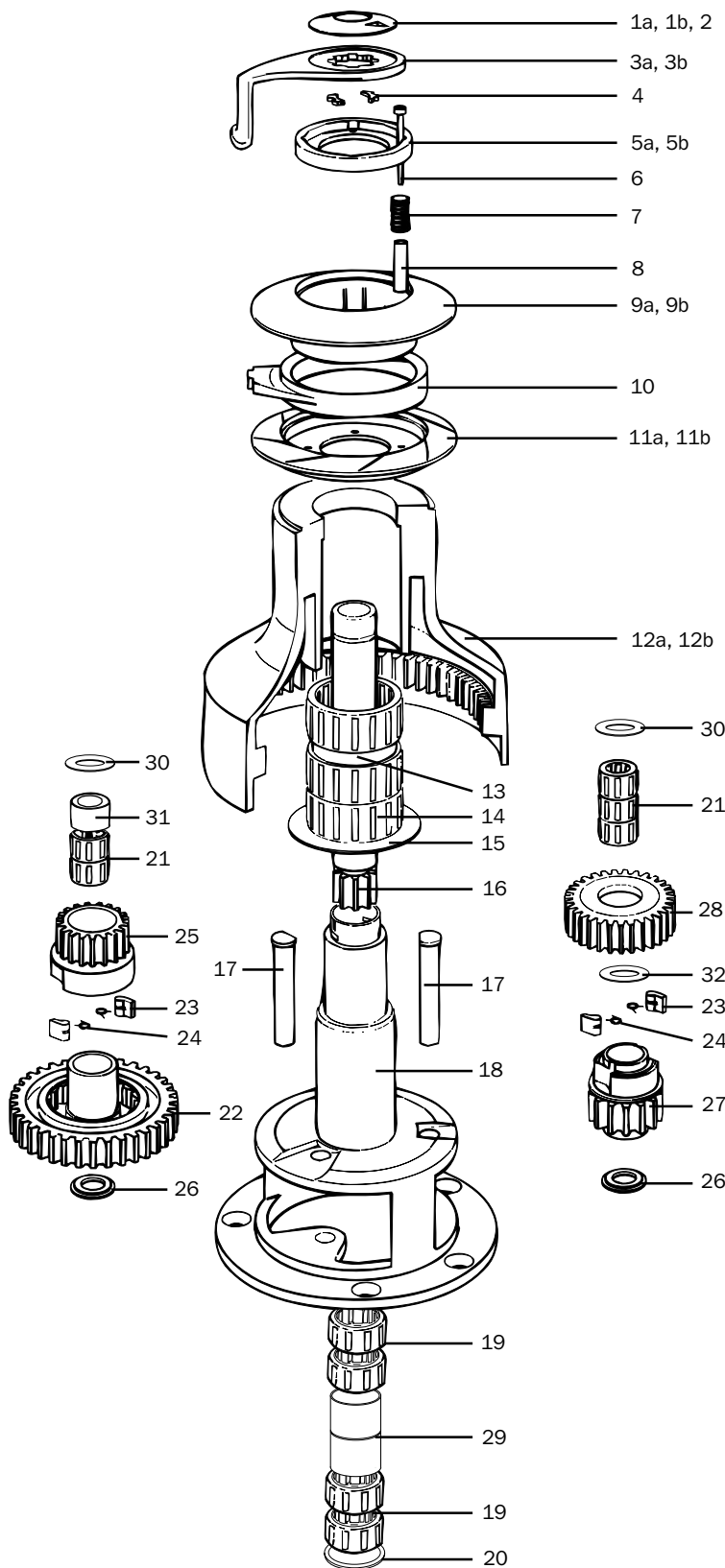
**Note:** Item 31 must be positioned as the top bearing on the output gear.

**NO.60/3 STOR - 3 SPEED WINCH**



Item	Description	Part Number	No. Off
1	Circlip	B2075	1
2	Top Cap Cover	15080106	1
3	Push Button	15044114	1
4	Plunger	15044111	1
5	Top Cap	15044104	1
5a	Spring Anchor Pin	15044115	2
6	Spring	15044112	1
7	Pawl Spring	1260/7	9
8	Pawl (Small)	15000094	4
9	Closing Ring	15044106	1
10	Spring	15044113	2
11	Circlip	B2083	1
12	Skt Hd Cap Screw M6 x 20mm Long	B0680	4
13	Cleat (Grey)	WSK 4750/14/S	1
13a	Cleat (Black)	WSK 4750/14	1
14	Gear Ring	WSK 4750/3	1
14a	Alloy Drum (Grey)	WSK 4902/2/S	1
14b	Alloy Drum (Black)	WSK 4902/2	1
15	Clutch Plate	15000910	1
16	Collet	15044118	2
17	Plunger	15137203	2
18	Spring	15137204	2
19	Drive Pin	15044119	1
20	Skt Hd Cap Screw M8 x 35mm Long	B0760	3
21	Drum Bearing	18000203	3
22	Upper Centre Stem	15001653	1
22a	Delrin Ball	B1726	59
23	Skt Hd Cap Screw M8 x 12mm Long	B0826	6
24	Spacer	15000303	1
25	Ratchet Gear	WSK 4750/8	1
26	Spindle - Extension	WSK 4750/9	1
27	Roller Bearing	18000206	3
28	Bridge Piece	15001257	1
28a	Sleeve - Bridge Piece	15000053	1
28b	Heli-coil Insert	B2423	6
29	Hollow Dowel	15065111	2
30	Base (Grey)	15001531/S	1
30a	Base (Black)	15001531	1
30b	Heli-coil Insert	B2424	4
31	Drive Dog	45002183	1
31a	Washer	15000779	1
32	Lower Centre Stem	15001256	1
33	Skt Hd Cap Screw M10 x 20mm Long	B0691	4
34	Spirol Pin	B1501	2
35	Gear Spindle	15000236	1
36	Washer	15001272	1
37	Idler Gear	WSK 4750/5	1
38	Roller Bearing	15000017	5
39	Ratchet Gear	WSK 4750/6	1
40	Retaining Plate	15001277	1
41	Washer	15000247	1
42	CSk HD Posidrive Screw M5 x 12mm Long	B0543	2
43	Gear Spindle	15001275	1
44	Pawl Gear	WSK 4750/12	1
45	Pawl (Large)	15000301	5
46	Washer	15000940	2
47	Ratchet Gear	WSK 4750/7	1
48	Flanged Washer	15000306	1
49	Circlip	B2086	2
50	Main Spindle	WSK 4750/16	1
51	Washer	15001556	1
52	Collet	WSK4790/11	2
53	Sleeve	LSK 4514/4	2
55	Roller Bearing	15000019	1
56	Flanged Bush	LSK 4514/2	1
2-10	Top Cap Assy Complete	18000155	1

**NO.62 STOR - 2 SPEED SELF TAILING WINCH**



Item	Description	Part Number	No. Off
1a	Top Cap (Grey)	45003150	1
1b	Top Cap (Black)	45003151	1
2	'O' Ring (Fitted In Item 1a/1b)	B6061	1
3a	Feeder Arm (Grey)	45003183	1
3b	Feeder Arm (Black)	45003184	1
4	Plastic Collet	45003002	2
5a	Spring Retainer (Grey)	45000725	1
5b	Spring Retainer (Black)	45000795	1
6	M6 x 55 Skt Hd Cap Screw	B0756	4
7	Spring	45000512	4
8	Spacer	45000713	4
9a	Upper Crown (Grey)	45000705	1
9b	Upper Crown (Black)	45000785	1
10	Stripper Ring	45000708	1
11a	Lower Crown (Grey)	45000709	1
11b	Lower Crown (Black)	45000789	1
12a	Alloy Drum (Grey)	45000814	1
12b	Alloy Drum (Black)	45000884	1
13	Spacer	45003189	1
14	Roller Bearing Assy	18000203	3
15	Drum Washer	45003095	1
16	Main Spindle	45003198	1
17	Gear Spindle	45003114	2
18	Centre Stem Assy	48000038	1
19	Roller Bearing Assy	18000206	4
20	Circlip	B2092	1
21	Roller Bearing Assy	15000017	5
22	Ratchet Gear	45003170	1
23	Pawl	15000301	4
24	Pawl Spring	1260/7	4
25	Pawl Gear	45003169	1
26	Flanged Washer	15000646	2
27	Pawl Gear	45003201	1
28	Ratchet Gear	45003172	1
29	Spacer	45003190	2
30	Washer	15000247	2
31	Plain Bearing	45003162	1
32	Washer	45000533	1

**Note:** Item 31 must be positioned as the top bearing on the output gear.

